

PCISA-7520 Series

Isolated RS-232 to RS-(422)/485 Converter Card

Features

- No External Power Supply required
- No Driver installation required
- ESD Protection for the RS-232/422/485 Data Line
- 3000 V_{DC} Isolation Protection on the RS-232 side
- Transmission Speed of up to 115200 bps
- Can be used in an ISA Bus, a PCI Bus or any system with an RS-232 Interface



Introduction

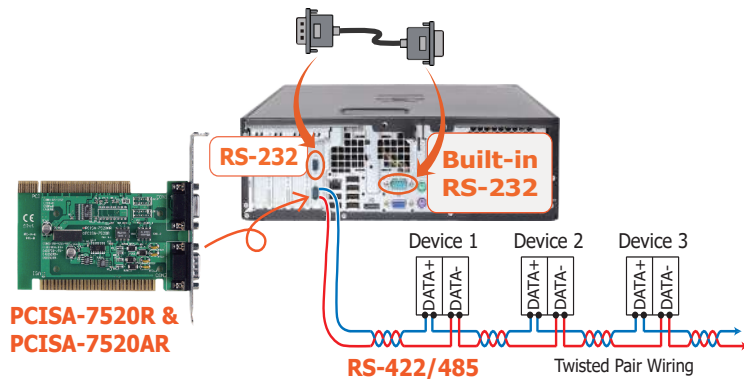
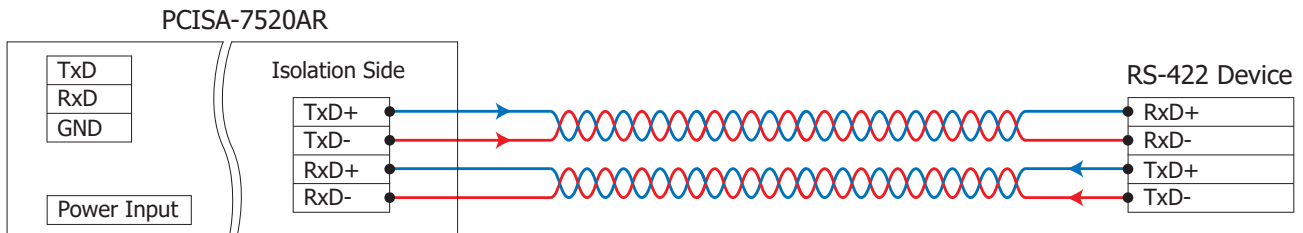
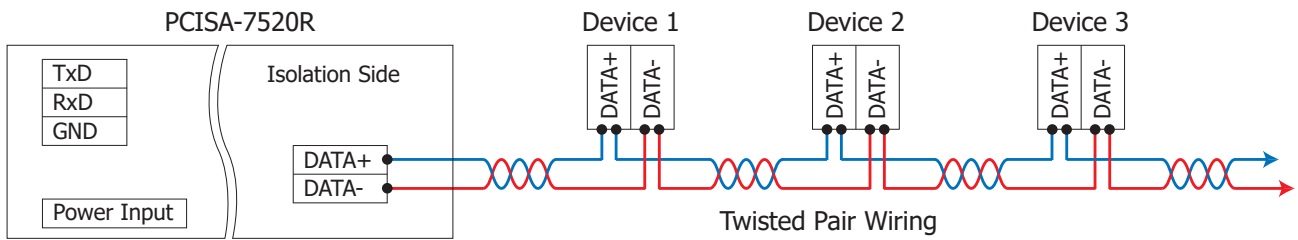
The PCISA-7520 series card provides RS-232 to RS-485 (or RS-422) converter function that is exactly the same as I-7520 series. It is designed for easy installation, powered from the PCI or ISA Interface but without PCI and ISA functions. The PCISA-7520 series is equipped with both an RS-232 serial port and an RS-485 serial port. The RS-232 port is designed to communicate with the local Host PC, the RS-485 is designed to communicate with the remote IO module.

For adding more serial ports to a PC, please refer to VXC/VEX series cards.

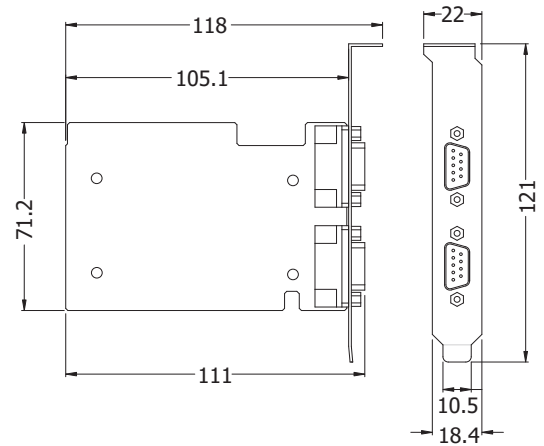
System Specifications

Models	PCISA-7520R	PCISA-7520AR
Interface		
Serial Interface	RS-232	TxD, RxD, GND
	RS-422	–
	RS-485	Data+, Data-
Transmission Distance	Max. 1,200 m at 9.6 kbps; Max. 400 m at 115.2 kbps (Belden 9841 2P twisted-pair cable, if different cables are used, the transmission distance may change)	
Self-Tuner Asic Inside	Yes	
Speed	300 ~ 115200 bps	
ESD Protection	Yes	
Isolated Voltage	3000 V _{DC} on the RS-485 side	3000 V _{DC} on the RS-422/485 side
Connector	RS-232	9-Pin Female D-Sub x 1
	RS-422/485	9-Pin Male D-Sub x 1
Power		
Input Voltage Range	+5 V _{DC} from the PC	
Power Consumption	1.0 W	
Mechanical		
Dimensions (W x L x H)	121 mm x 118 mm x 22 mm	
Environment		
Operating Temperature	0 °C ~ +50 °C	
Storage Temperature	-20 °C ~ +70 °C	
Humidity	0 ~ 90% RH, non-condensing	

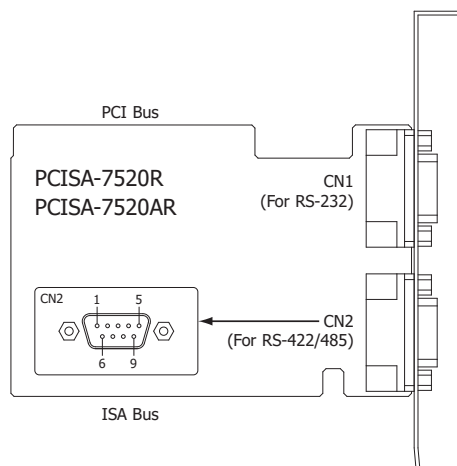
Applications



Dimensions (Units: mm)



Pin Assignments



Pin	2-wire for RS-485
01	DATA+
02	DATA+
03	NC
04	NC
05	NC
06	DATA-
07	DATA-
08	NC
09	NC

Pin	2-wire for RS-485	4-wire for RS-422
01	DATA+	Tx+
02	DATA+	Tx+
03	NC	
04	NC	Rx+
05	NC	Rx+
06	DATA-	Tx-
07	DATA-	Tx-
08	NC	Rx-
09	NC	Rx-

Ordering Information

PCISA-7520A CR	Isolated RS-232 to RS-485 Converter Card (RoHS)
PCISA-7520AR CR	Isolated RS-232 to RS-422/485 Converter Card (RoHS)

Accessories

I-7510 CR	Isolated RS-485 Repeater (RoHS)
I-7510A CR	Isolated RS-422/485 Repeater (RoHS)
CA-0915 CR	DB9 Male to DB9 Female Cable [RS-232: Pin1-Pin9], 1.5M (RoHS)